

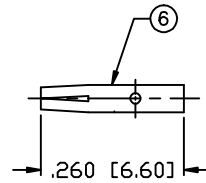
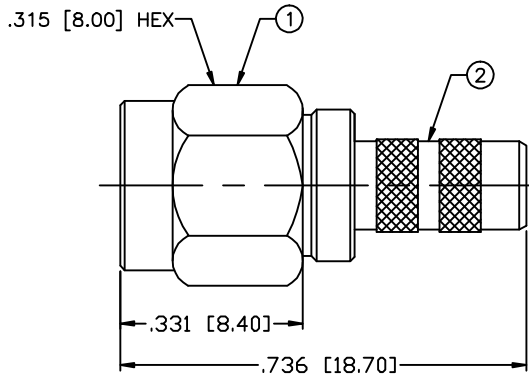
THIS DRAWING CONTAINS INFORMATION PROPRIETARY TO RF INDUSTRIES,  
 ANY UNAUTHORIZED USE OF THIS DRAWING IS EXPRESSLY PROHIBITED  
 WITHOUT WRITTEN PERMISSION FROM RF INDUSTRIES.  
 ANY VIOLATION IS PUNISHABLE UNDER U.S. COPYRIGHT LAWS.

ALL DIMENSIONS ARE REFERENCE ONLY

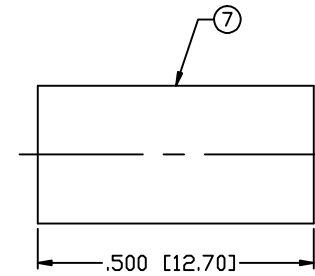
PART NO.

**RP-3000-C**

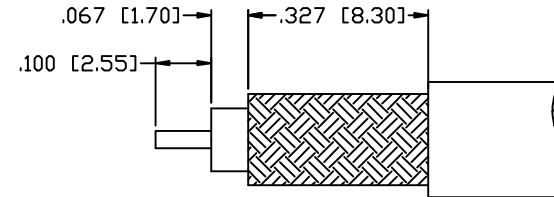
REV	DESCRIPTION	DWN	DATE	APPROVED
-	ENGINEERING RELEASE	JDM	7/99	JDMc
A	REMOVED CRIMP TOOL NOTE "USE RFA-4089"	JDM	3/25/03	JDMc
B	UPDATE DWG, TITLE BLOCK & SPECS	CZS	5/27/05	JDMc
C	INCREASE CBL CONDUCTOR LENGTH FROM .079"	JDM	6/10/13	JDMc



SOLDER ONLY



RECOMMENDED  
 CRIMP DIE: .213"



RECOMMENDED STRIPPING DIMENSIONS

**SPECIFICATIONS:**

IMPEDANCE: 50 Ohms  
 FREQUENCY RANGE: 0-12.4 GHz  
 INSERTION LOSS(dB):  $0.03 \times \sqrt{f(\text{GHz})}$   
 VSWR: 1.3 MAX.  
 WORKING VOLTAGE: 500 V rms Max. @ Sea Level  
 INSULATION RESISTANCE: 5k M Ohms min.  
 TEMPERATURE RANGE: -65°C TO 85°C  
 FOR RG-58, 58A, 58C, 141, 141A, BELDEN 8240, 9907  
 8259, 8262, 9201, 9203, 9310, 9311 & COMM/SCOPE 0268

1	SHELL	1	BRASS	NICKEL, 100μ"
2	BODY	1	BRASS	NICKEL, 100μ"
3	INSULATOR	1	PTFE	----
4	RETAINING RING	1	Be-Cu	----
5	GASKET	1	SILICONE	----
6	CONTACT	1	Be-Cu	GOLD, 50μ"
7	FERRULE	1	BRASS	NICKEL, 100μ"
8				
9				
10				
11				
12				
13				
14				

008974	
DRAWN C. ZUNIGA	6/12/13
CHECKED	
ORJ DRAWN JDMC	7/99

UNLESS OTHERWISE SPECIFIED:  
 1. REMOVE ALL BURRS  
 2. BREAK ALL CORNERS & EDGES .005 R. MAX.  
 3. CHAMFER 1ST & LAST THREADS 45°  
 4. SURFACE ROUGHNESS 63 FINISH MIL-STD-10  
 5. DIAMETERS ON COMMON CENTERS TO BE CONCENTRIC WITHIN .002 T.I.R.  
 6. ALL DIMENSIONS ARE AFTER PLATING.

DIMENSIONS ARE IN INCHES AND [MILLIMETERS]  
 UNLESS OTHERWISE NOTED TOLERANCES ARE:

DECIMALS	DIAMETER
.xxx±.003 [.08]	.xxx±.001 [.03]
.xx±.005 [.13]	.xx±.003 [.08]

**RF connectors**  
 DIVISION OF RF INDUSTRIES, LTD.

7610 MIRAMAR RD  
 SAN DIEGO, CA 92126  
 (858) 549-6340  
 (858) 549-6345 FAX

**SMA PLUG, CRIMP**

REVERSE POLARITY

SIZE	CABLE GROUP	DWG NO.	REV
A	C	RP-3000-C	C